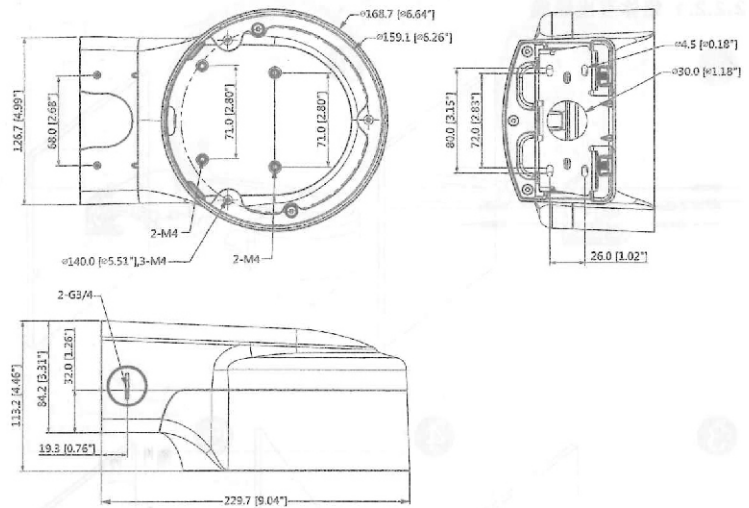


Vari-focal Dome Bracket

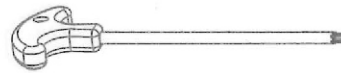
Figure 1-2 (mm[inch])



Product Model	L-WH11
Product dimension	229.7mm(L) × 168.7mm(W) × 113.2mm(H)
Package size	255mm(L) × 195mm(W) × 142mm(H)
Product weight	0.93kg

INSTALLATION GUIDE

2.1 Tool

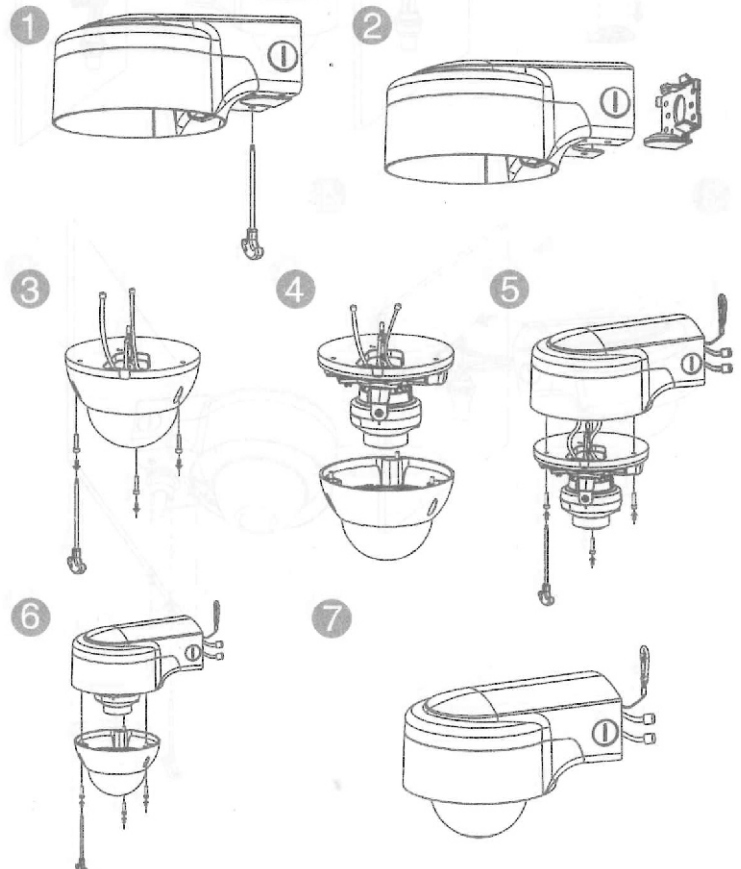


2.2 Installation Steps

Note:

If you use external power, mount the bracket first, and then mount the camera and connect cables.

2.2.1 Dome Installation



IMPORTANT SAFEGUARDS AND WARNINGS

Please read carefully and strictly conform to the following requirements before operation, which is to avoid damage for your products.

Special Statement

- Please refer to the actual product for more details; the manual is just for reference.
- The manual will be regularly upgraded according to the product update; the upgraded content will be added in the manual without prior announcement.
- Please contact the customer service for the latest procedure and supplementary documentation.
- The company is not liable for any loss caused by the operation which is not followed by the manual.

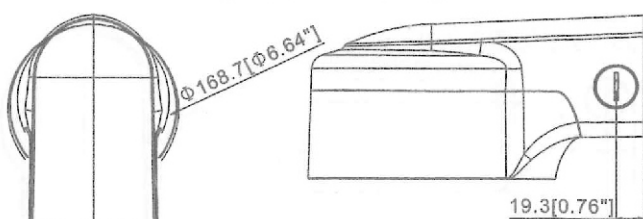
PRODUCT OVERVIEW

1.1 Product Features

- Installation mode: Wall mount.
- Supports quick installation, convenient installation.
- Default protection cover, satisfy protection requirement.
- Reserved installation pole meets optional installation requirement for PoE, PoC and external power.
- Equipped with safety rope hook, safe and reliable.

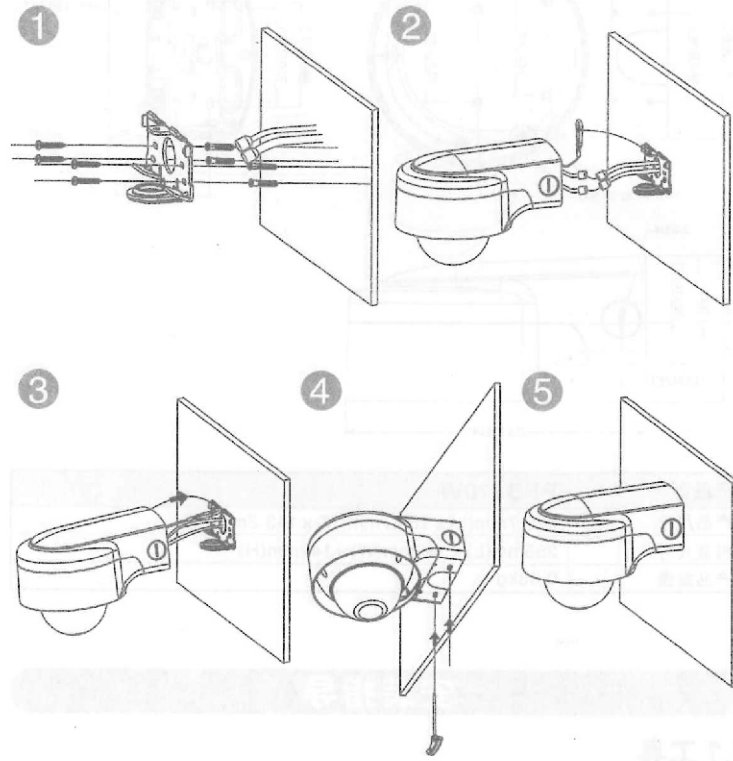
1.2 Product Dimension

Figure 1-1 (mm[inch])

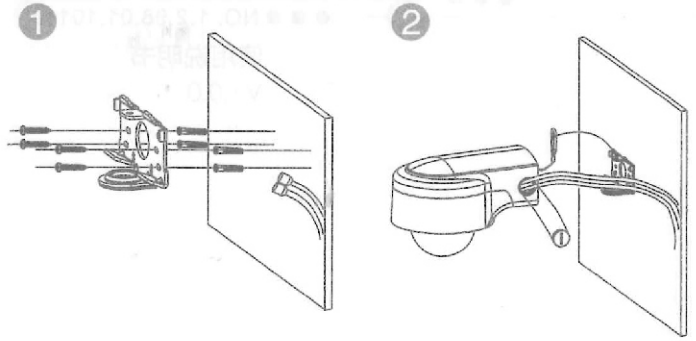


2.2.2 Cable Connection

2.2.2.1 Straight Cable Outlet from Wall



2.2.2.3 Cable Outlet next to Bracket



2.2.2.2 Cable Outlet under Bracket

